

## SPLScar™ Scratcher

(#201906/201907/201924/201925)

### 1. Description

SPLScar™ Scratcher improves the uniformity and reproducibility of the possible products used in cancer metastasis, wound healing and cell migration research. SPLScar™ Scratcher consists of a Lid with identical holes and a scratcher, suitable for use in 6 well and 24 well configurations.

### 2. Features

- ❖ Scratcher tip width: 0.5, 1.0mm -> allowing a full view of the wound width in a single frame under high-magnifications

### 3. Functional Test

Sterility	: Passed
Non-cytotoxic	: Passed
Non-pyrogenic	: Passed
DNase / RNase - free	: Passed
Human DNA - free	: Passed

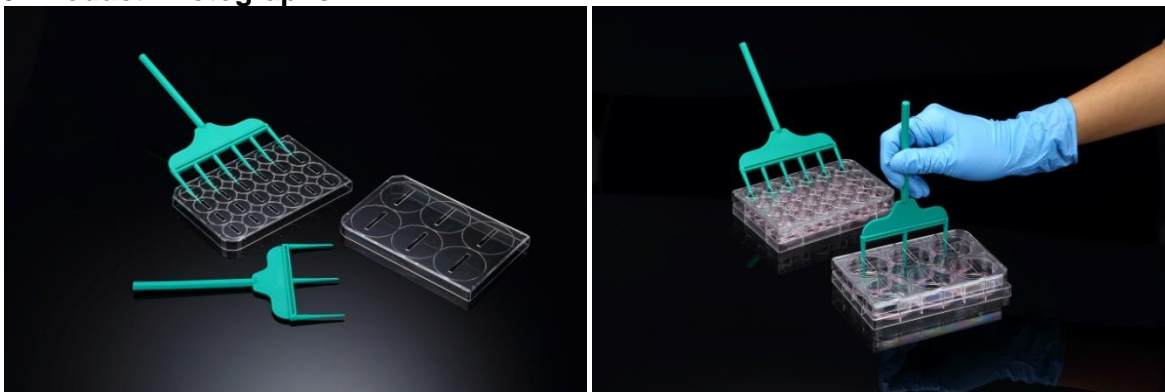
### 4. Product Range

Cat. No.	Lid Type	Material (Scratcher/Lid)	Tip Size (mm)	Sterile	Packaging
201906	6well	HDPE/PS	0.5	+	1/20
201907	6well	HDPE/PS	1.0	+	1/20
201924	24well	HDPE/PS	0.5	+	1/20
201925	24well	HDPE/PS	1.0	+	1/20

### 5. Certification

SPL Life Sciences hereby certifies that the product identified above, inspected to be in compliance with product quality specification and requirements as documented in our ISO 9001:2015 Quality Management System (K-QA-Q031478) in Korea.

### 6. Product Photographs



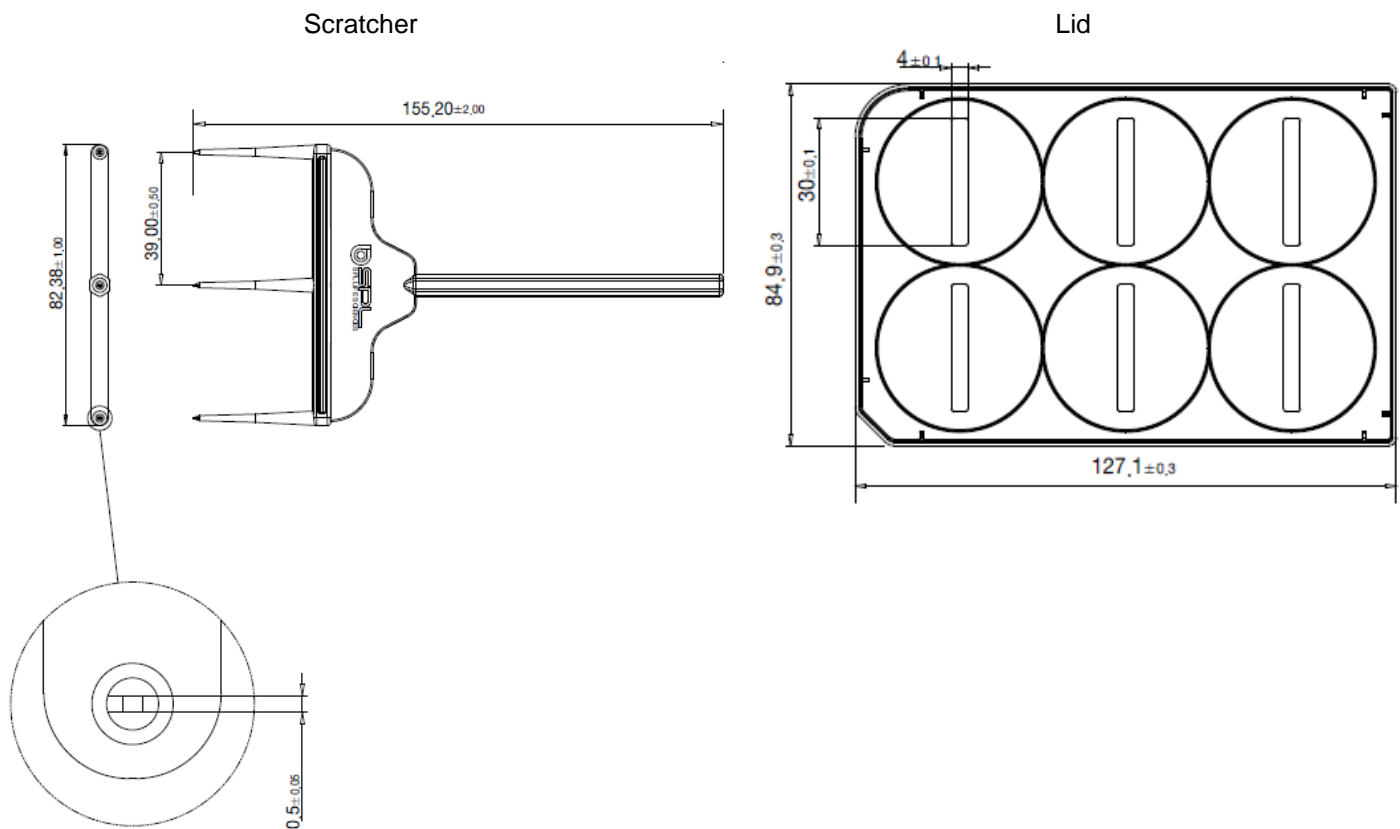
## 7. Specifications & Technical Drawing

(1) SPLScar™ Scratcher- 6well, 0.5 mm (# 201906) - Specifications Dimensions

### - Specifications

Dimensions		Material (Resin)	Packaging
Scratcher Dimension	Lid Dimension	<ul style="list-style-type: none"> <li>Scratcher: High-Density Polyethylene (HDPE)</li> <li>Lid: Polystyrene (PS)</li> </ul>	<ul style="list-style-type: none"> <li>Pieces/Sleeve: 1</li> <li>Pieces/Case: 20</li> </ul>
<ul style="list-style-type: none"> <li>length: <math>82.38 \pm 1.00</math> mm</li> <li>Width: <math>155.20 \pm 2.00</math> mm</li> <li>Tip Width: <math>0.5 \pm 0.05</math> mm</li> </ul>	<ul style="list-style-type: none"> <li>length: <math>84.9 \pm 0.3</math> mm</li> <li>Width: <math>127.1 \pm 0.3</math> mm</li> <li>High: <math>10.0 \pm 0.1</math> mm</li> <li>Hole length: <math>30.0 \pm 0.1</math> mm</li> <li>Hole Width: <math>4.0 \pm 0.1</math> mm</li> </ul>		

### - Technical Drawing

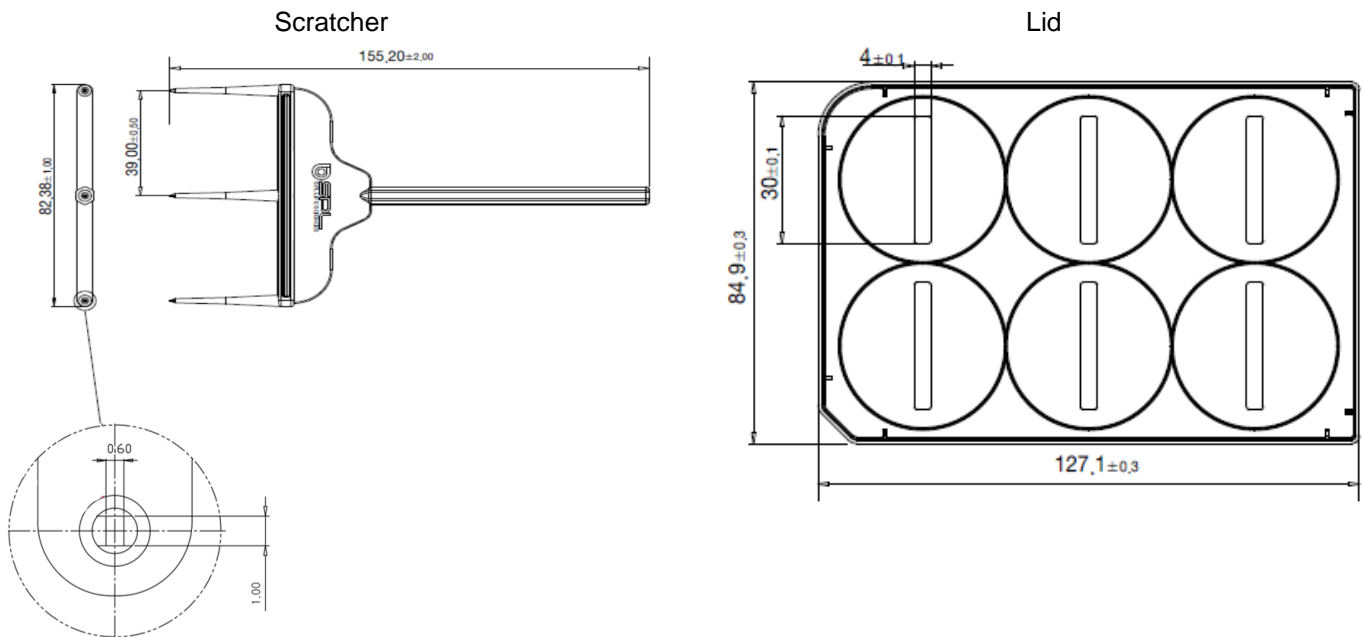


## (2) SPLScar™ Scratcher- 6well, 1.0 mm (# 201907) - Specifications Dimensions

## - Specifications

Dimensions		Material (Resin)	Packaging
Scratcher Dimension	Lid Dimension	<ul style="list-style-type: none"> <li>Scratcher: High-Density Polyethylene (HDPE)</li> <li>Lid: Polystyrene (PS)</li> </ul>	<ul style="list-style-type: none"> <li>Pieces/Sleeve: 1</li> <li>Pieces/Case: 20</li> </ul>
<ul style="list-style-type: none"> <li>length: <math>82.38 \pm 1.00</math> mm</li> <li>Width: <math>155.20 \pm 2.00</math> mm</li> <li>Tip Width: <math>1.0 \pm 0.05</math> mm</li> </ul>	<ul style="list-style-type: none"> <li>length: <math>84.9 \pm 0.3</math> mm</li> <li>Width: <math>127.1 \pm 0.3</math> mm</li> <li>High: <math>10.0 \pm 0.1</math> mm</li> <li>Hole length: <math>30.0 \pm 0.1</math> mm</li> <li>Hole Width: <math>4.0 \pm 0.1</math> mm</li> </ul>		

## - Technical Drawing



(3) SPLScar™ Scratcher- 24well (# 201924) - Specifications Dimensions

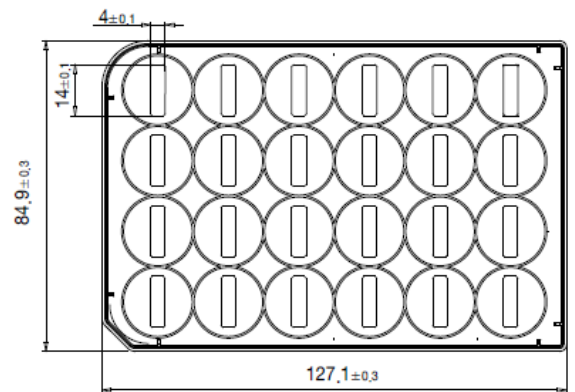
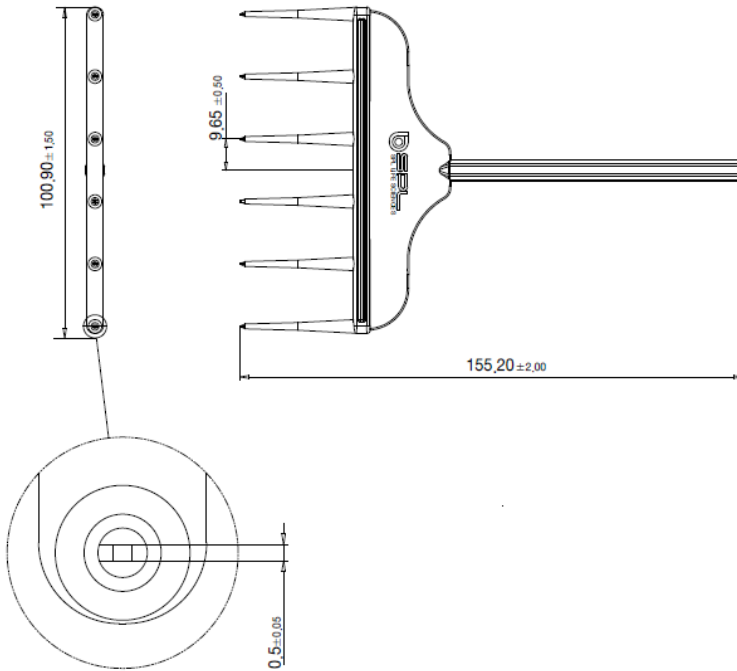
- Specifications

Dimensions		Material (Resin)	Packaging
Scratcher Dimension	Lid Dimension	<ul style="list-style-type: none"> <li>Scratcher: High-Density Polyethylene (HDPE)</li> <li>Lid: Polystyrene (PS)</li> </ul>	<ul style="list-style-type: none"> <li>Pieces/Sleeve: 1</li> <li>Pieces/Case: 20</li> </ul>
<ul style="list-style-type: none"> <li>length: 100.90±1.50 mm</li> <li>Width: 155.20±2.00 mm</li> <li>Tip Width: 0.5±0.05 mm</li> </ul>	<ul style="list-style-type: none"> <li>length: 84.9±0.3 mm</li> <li>Width: 127.1±0.3 mm</li> <li>High: 10.0±0.1 mm</li> <li>Hole length: 14.0±0.1 mm</li> <li>Hole Width: 4.0±0.1 mm</li> </ul>		

- Technical Drawing

Scratcher

Lid

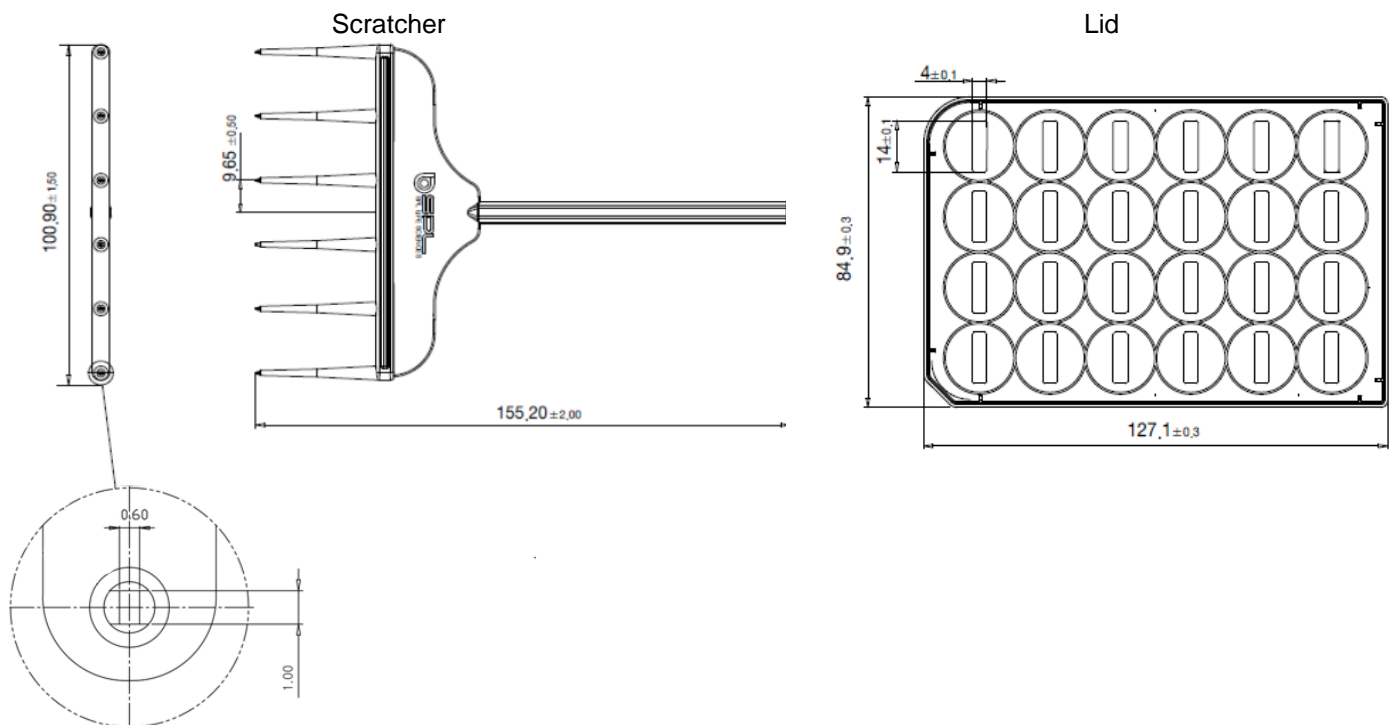


## (4) SPLScar™ Scratcher- 24well (# 201925) - Specifications Dimensions

## - Specifications

Dimensions		Material (Resin)	Packaging
Scratcher Dimension	Lid Dimension	<ul style="list-style-type: none"> <li>Scratcher: High-Density Polyethylene (HDPE)</li> <li>Lid: Polystyrene (PS)</li> </ul>	<ul style="list-style-type: none"> <li>Pieces/Sleeve: 1</li> <li>Pieces/Case: 20</li> </ul>
<ul style="list-style-type: none"> <li>length: <math>100.90 \pm 1.50</math> mm</li> <li>Width: <math>155.20 \pm 2.00</math> mm</li> <li>Tip Width: <math>1.0 \pm 0.05</math> mm</li> </ul>	<ul style="list-style-type: none"> <li>length: <math>84.9 \pm 0.3</math> mm</li> <li>Width: <math>127.1 \pm 0.3</math> mm</li> <li>High: <math>10.0 \pm 0.1</math> mm</li> <li>Hole length: <math>14.0 \pm 0.1</math> mm</li> <li>Hole Width: <math>4.0 \pm 0.1</math> mm</li> </ul>		

## - Technical Drawing



[www.spllifesciences.com](http://www.spllifesciences.com)

For technical assistance, contact SPL R&D Center at:

Tel: +82-31-533-4800; Fax: +82-31-533-1430; e-mail: [spl@ispl.co.kr](mailto:spl@ispl.co.kr)

To place an order, contact your local distributor or

Tel: +82-31-533-4800; Fax: +82-31-533-1430; e-mail: [business@ispl.co.kr](mailto:business@ispl.co.kr)

SPL-TDS-SSS

For Research Use Only. Not intended for use in diagnostic or therapeutic procedures.  
© SPL Life Sciences Co., Ltd., Version 4, November 20<sup>th</sup>, 2018