

## Cell Culture Plate 96well

(#30096/31096/32096/34096/34196/34296/36196/36296/30097/32097)

### 1. Description

Cell Culture Plates are widely used for handling multiple samples in a single experiment during culture. SPL Life Sciences provides a wide range of multiwell plates from 6well to 384well plates for cell culturing purposes.

### 2. Features

- ❖ HTS (High-Throughput Screening) compatible
- ❖ Designed to prevent cross contamination
- ❖ Effective gas exchange lid inner design
- ❖ Alphanumeric labeling
- ❖ Homogeneous cell culture
- ❖ 4 Bottom types: Flat/Round/Conical/Flat-Small
- ❖ USP guideline compliant (USP class VI tested)
- ❖ ANSI guideline compliant

### 3. Functional Test

Sterility	:	Passed
Cytotoxicity	:	Passed
Non-Pyrogenic	:	Passed
RNase/DNase free	:	Passed
DNA free	:	Passed

### 4. Product Range

Cat. No.	Material	External Dimension w x l x h (mm)	Bottom Type	Well Dimension d x h (mm)	Growth Area (cm <sup>2</sup> )	Working Volume (ml)	Surface Treatment	Sterile	Packaging
30096	PS	85.40 x 127.60 x 14.40	Flat	6.92 x 10.80	0.33	0.20	+	+	1/50
31096	PS	85.40 x 127.60 x 14.40	Flat	6.92 x 10.80	0.33	0.20	-	-	10/100
32096	PS	85.40 x 127.60 x 14.40	Flat	6.92 x 10.80	0.33	0.20	-	+	1/50
34096	PS	85.40 x 127.60 x 14.40	Round	6.92 x 11.00	0.66	0.20	+	+	1/50
34196	PS	85.40 x 127.60 x 14.40	Round	6.92 x 11.00	0.66	0.20	-	-	10/100
34296	PS	85.40 x 127.60 x 14.40	Round	6.92 x 11.00	0.66	0.20	-	+	1/50
36196	PS	85.40 x 127.60 x 14.40	Conical	6.92 x 11.00	0.38	0.20	-	-	10/100
36296	PS	85.40 x 127.60 x 14.40	Conical	6.92 x 11.00	0.38	0.20	-	+	1/50
30097	PS	85.40 x 127.60 x 14.40	Flat/Small	4.10 x 10.80	0.10	0.07	+	+	1/50
32097	PS	85.40 x 127.60 x 14.40	Flat/Small	4.10 x 10.80	0.10	0.07	-	+	1/50

### 5. Certification

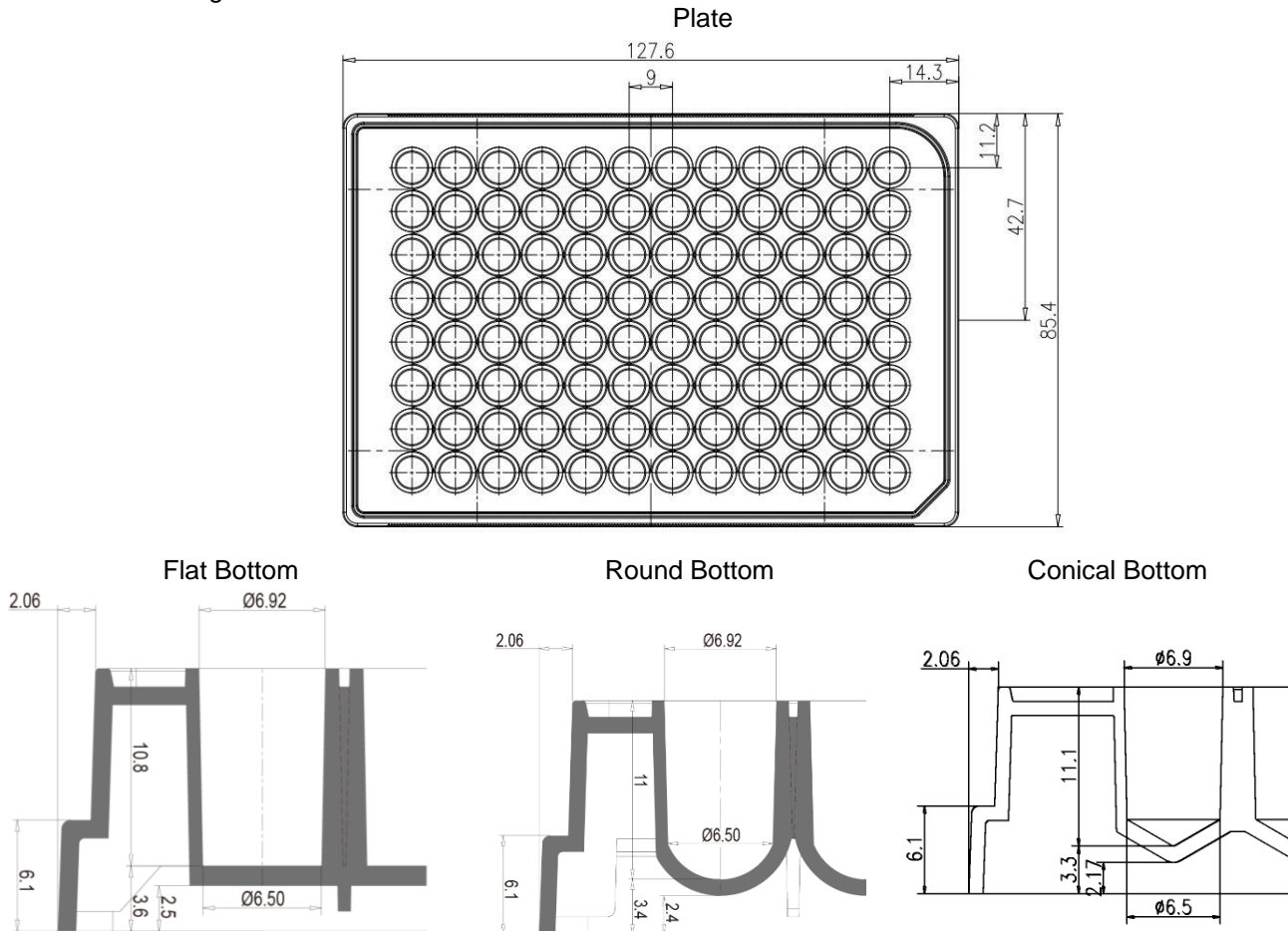
SPL Life Sciences hereby certifies that the product identified above, inspected to be in compliance with product quality specification and requirements as documented in our ISO 9001:2015 Quality Management System (K-QA-Q031478) in Korea.

## 6. Specifications & Technical Drawing

### - Specifications

Lid		Plate		Material (Resin)	Packaging
Length:	127.10 mm	Length:	127.60 mm		
Width:	84.90 mm	Width:	85.40 mm		
Height:	10.00 mm	Height:	14.40 mm		
		Well Dimension:	6.50 mm		
Volume per Well:		0.20 ml			
Growth Area:		0.33 cm <sup>2</sup>			

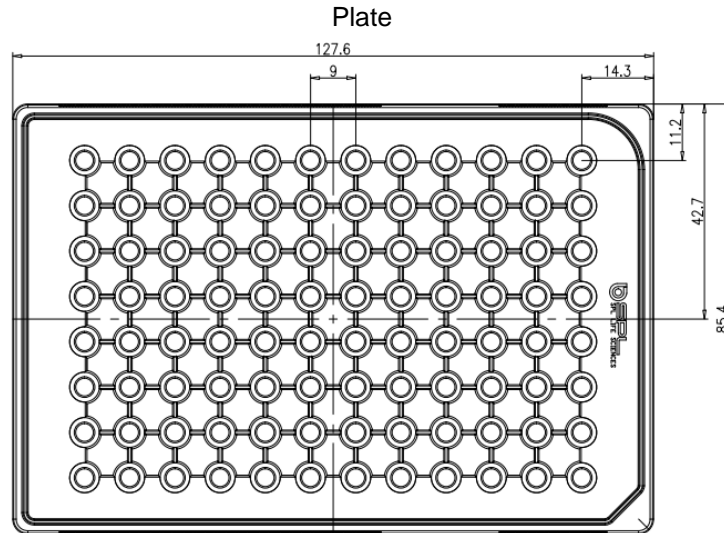
### - Technical Drawing



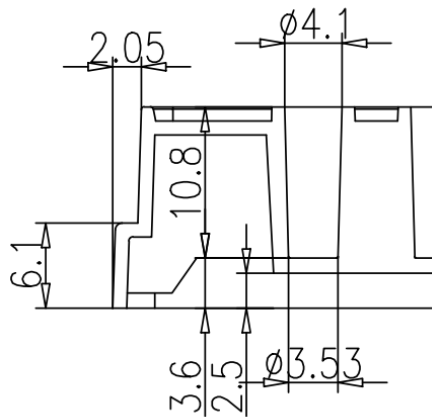
## - Specifications

Lid		Plate		Material (Resin)	Packaging
Length:	127.10 mm	Length:	127.60 mm		
Width:	84.90 mm	Width:	85.40 mm		
Height:	10.00 mm	Height:	14.40 mm		
		Well Dimension:	3.53 mm		
Volume per Well:		0.07 ml			
Growth Area:		0.10 cm <sup>2</sup>			

## - Technical Drawing



Flat/Small Bottom



[www.spllifesciences.com](http://www.spllifesciences.com)

For technical assistance, contact SPL R&D Center at:

Tel: +82-31-533-4800; Fax: +82-31-533-1430; e-mail: [spl@ispl.co.kr](mailto:spl@ispl.co.kr)

To place an order, contact your local distributor or

Tel: +82-31-533-4800; Fax: +82-31-533-1430; e-mail: [business@ispl.co.kr](mailto:business@ispl.co.kr)

SPL-TDS-CCP96

For Research Use Only. Not intended for use in diagnostic or therapeutic procedures.  
© SPL Life Sciences Co., Ltd., Version 6, November 20<sup>th</sup>, 2018