

## Storage Bottle

(#550150/550250/550500/551000)

### 1. Description

SPL Life Sciences Storage Bottle can be stored various types of aqueous solution, such as media, buffer and etc. Ergonomically designed bottle is easy to hold with one hand that making handling easier. Plug seal caps provide tight seal and help reduce the risk of contamination.

### 2. Features

- ❖ Molded-in graduations
- ❖ Cat. No. 550150, 550250, 550500 can be used with Bottle Top Filter (Cat. No. 508150/508151/508500/508501)
- ❖ Cat. No. 551000: For storage use only

### 3. Functional Test

Sterility	:	Passed
Cytotoxicity	:	Passed
Non-Pyrogenic	:	Passed
DNase/RNase-free	:	Passed
DNA free	:	Passed
Non-Hemolytic	:	Passed

### 4. Product Range

Cat.No.	Material (Bottle/Cap)	Total Volume (ml)	Sterile	Packaging
550150	PS/PP	150.00	+	2 / 24
550250	PS/PP	250.00	+	2 / 24
550500	PS/PP	500.00	+	2 / 24
551000	PS/PP	1,000.00	+	2 / 24

### 5. Certification

SPL Life Sciences hereby certifies that the product identified above, inspected to be in compliance with product quality specification and requirements as documented in our ISO 9001:2015 Quality Management System (K-QA-Q031478) in Korea.

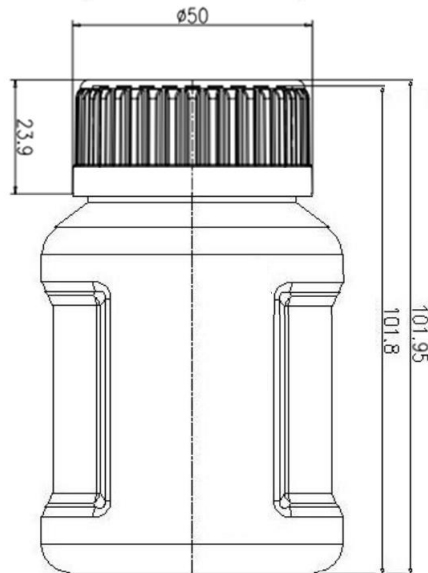
## 7. Specifications & Technical Drawing

(1) 150 ml Storage Bottle (# 550150)

- Specifications

	Dimensions	Material (Resin)	Packaging
Cap	Diameter: 50.00 mm Height: 23.90 mm	Polypropylene (PP)	<ul style="list-style-type: none"> <li>▪ Pieces/Sleeve: 2</li> <li>▪ Pieces/Case: 24</li> </ul>
Body	Diameter: 63.90 mm Height: 101.80 mm Volume: 150.00 ml	Polystyrene (PS)	

- Technical Drawing



SPL-TDS-STBO

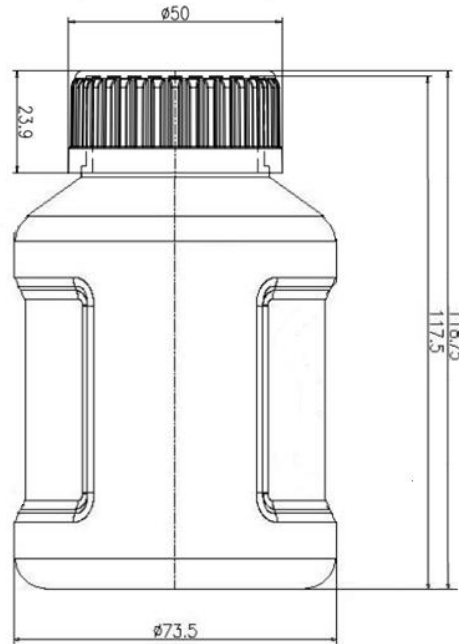
*For Research Use Only. Not intended for use in diagnostic or therapeutic procedures.*  
© SPL Life Sciences Co., Ltd., Version 4, May 2<sup>nd</sup> 2024

## (2) 250 ml Storage Bottle (# 550250)

## - Specifications

	Dimensions	Material (Resin)	Packaging
Cap	Diameter: 50.00 mm Height: 23.90 mm	Polypropylene (PP)	<ul style="list-style-type: none"> <li>• Pieces/Sleeve: 2</li> <li>• Pieces/Case: 24</li> </ul>
Body	Diameter: 73.50 mm Height: 117.70 mm Volume: 250.00 ml	Polystyrene (PS)	

## - Technical Drawing



SPL-TDS-STBO

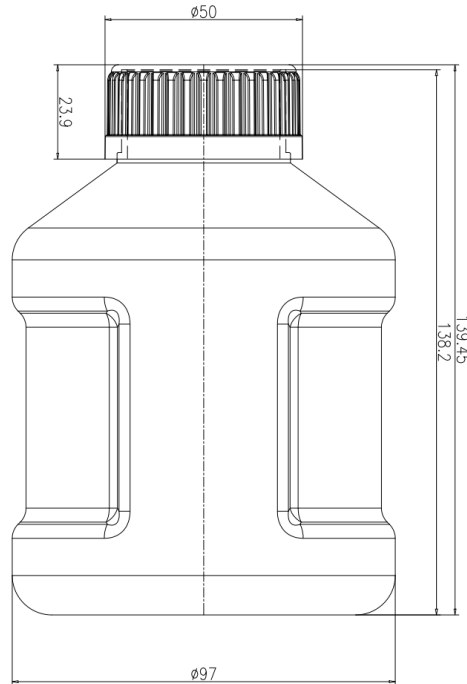
*For Research Use Only. Not intended for use in diagnostic or therapeutic procedures.*  
 © SPL Life Sciences Co., Ltd., Version 4, May 2<sup>nd</sup> 2024

## (3) 500 ml Storage Bottle (# 550500)

## - Specifications

	Dimensions	Material (Resin)	Packaging
Cap	Diameter: 50.00 mm Height: 23.90 mm	Polypropylene (PP)	<ul style="list-style-type: none"> <li>▪ Pieces/Sleeve: 2</li> <li>▪ Pieces/Case: 24</li> </ul>
Body	Diameter: 97.00 mm Height: 138.20 mm Volume: 500.00 ml	Polystyrene (PS)	

## - Technical Drawing



SPL-TDS-STBO

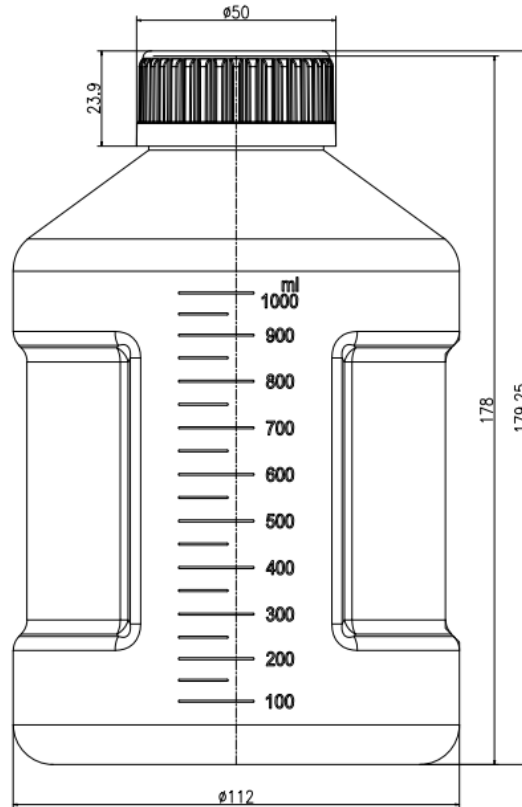
*For Research Use Only. Not intended for use in diagnostic or therapeutic procedures.*  
 © SPL Life Sciences Co., Ltd., Version 4, May 2<sup>nd</sup> 2024

## (4) 1,000 ml Storage Bottle (# 551000)

## - Specifications

	Dimensions	Material (Resin)	Packaging
Cap	Diameter: 50.00 mm Height: 23.90 mm	Polypropylene (PP)	<ul style="list-style-type: none"> <li>▪ Pieces/Sleeve: 2</li> <li>▪ Pieces/Case: 24</li> </ul>
Body	Diameter: 112.00 mm Height: 178.00 mm Volume: 1,000.00 ml	Polystyrene (PS)	

## - Technical Drawing



[www.spllifesciences.com](http://www.spllifesciences.com)

For technical assistance, contact SPL R&D Center at:

Tel: +82-31-533-4800; Fax: +82-31-533-1430; e-mail: [spl@ispl.co.kr](mailto:spl@ispl.co.kr)

To place an order, contact your local distributor or

Tel: +82-31-533-4800; Fax: +82-31-533-1430; e-mail: [business@ispl.co.kr](mailto:business@ispl.co.kr)

SPL-TDS-STBO

*For Research Use Only. Not intended for use in diagnostic or therapeutic procedures.*  
© SPL Life Sciences Co., Ltd., Version 4, May 2<sup>nd</sup> 2024